

FPD87310

Universal Interface XGA Panel Timing Controller with RSDS™ (Reduced Swing Differential Signaling) and FPD-Link

General Description

The FPD87310 Panel Timing Controller is an integrated FPD-Link + RSDS + TFT-LCD Timing Controller. It resides on the Flat Panel Display and provides the interface signal routing and Timing Control between Graphics or Video Controllers and a TFT-LCD system. FPD-Link, a low power, low EMI (ElectroMagnetic Interference) interface is used between this Controller and the Host system.

A RSDS (Reduced Swing Differential Signaling) Column Driver interface is used between the Timing Controller and the Column Drivers.

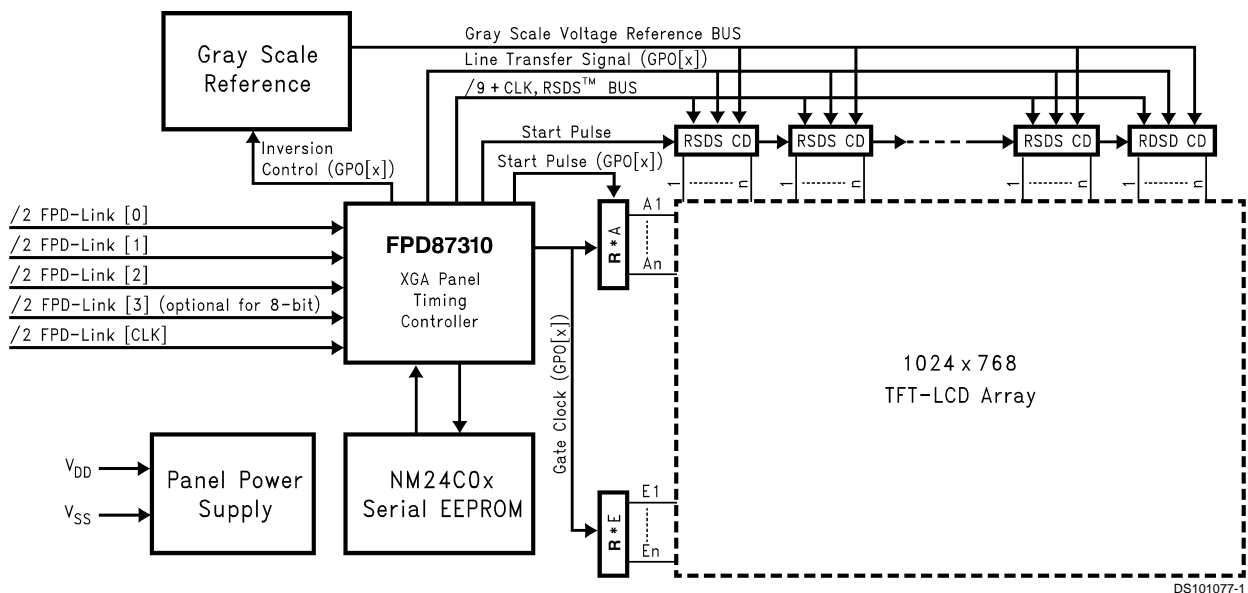
Programmable, General Purpose Outputs provide Row and Column Driver control. The FPD87310 is configured via metal mask initialization value or an optional external serial EEPROM. Reserved space in the EEPROM is available for display identification information. The system can access the EEPROM to read the display identification data or program initialization values used by the FPD87310.

This single 9-bit+CLK differential bus conveys the 18 bits color data for XGA panels at 130 Mb/s when using VESA 60 Hz standard timing.

Features

- RSDS (Reduced Swing Differential Signaling) Column Driver bus for low power and reduced EMI
- Drives RSDS Column Drivers at 130 Mb/s with a 65 MHz clock
- 6- or 8-bit LVDS Video System Interface (FPD-Link)
- 10 General Purpose Outputs for Column/Row Drivers
- Optional EEPROM programming allows fine tuning in development and production environments
- Selectable dual initialization value sets to share parts for the different model panel module
- Ability to drive XGA/SVGA TFT-LCD Systems
- Narrow 9-bit+CLK differential Column Driver Bus minimizes width of Source PCB
- CMOS circuitry operates from a 3.3V supply
- Supports Graphics Controllers with spread spectrum interface feature for lower EMI

System Diagram



TRI-STATE® is a registered trademark of National Semiconductor Corporation.

Absolute Maximum Ratings (Note 1)

If Military/Aerospace specified devices are required, please contact the National Semiconductor Sales Office/ Distributors for availability and specifications.

Supply Voltage (V_{DD})	4V
DC Input Voltage (V_{IN})	-0.3V to 4.0V
DC Output Voltage (V_{OUT})	-0.3V to $V_{DD} + 0.3V$
Storage Temperature Range (T_{STG})	-65°C to +150°C
Lead Temperature (T_L) (Soldering 10 sec.)	260°C

ESD Rating:

HBM

≥2kV

MM

≥200V

Operating Conditions

	Min	Max	Units
Supply Voltage (V_{DD})	3.0	3.6	V
Operating Temp Range (T_A)	0	70	°C
Operating Frequency (f_{CLK})	67		MHz

Electrical Characteristics

DC ELECTRICAL CHARACTERISTICS $V_{DD} = 3.3V \pm 0.3V$, $V_{SS} = 0.0V$ (Unless otherwise specified).

Symbol	Parameter	Conditions	Min	Typ	Max	Units
V_{OH}	Minimum High Level Output Voltage	$V_{DD} = 3.3V$, $I_{OH} = 8\text{ mA}$	2.2			V
V_{OL}	Maximum Low Level Output Voltage	$V_{DD} = 3.3V$, $I_{OL} = 8\text{ mA}$			0.8	V
V_{IH}	Minimum High Level Input Voltage		2.0			V
V_{IL}	Maximum Low Level Input Voltage				0.8	V
I_{IN}	Input Current	$V_{IN} = V_{SS}$ to V_{DD}	-10		10	μA
I_{DD}	Supply Current	$f_{CLK} = 65\text{ MHz}$, $R_{PI} = 13\text{ k}\Omega$, See Figure 1			140	mA

FPD-Link (LVDS) RECEIVER INPUT ($RxCLK+/-$, $RxIN[y]+/-$; $y = 0, 1, 2, 3$)

Symbol	Parameter	Conditions	Min	Typ	Max	Units
V_{IHLVDS}	LVDS Input High Level Threshold Voltage	$V_{CMLVDS} = +1.2V$ (Note 2)			+100	mV
V_{ILLVDS}	LVDS Input Low Level Threshold Voltage	$V_{CMLVDS} = +1.2V$ (Note 2)	-100			mV
V_{CMLVDS}	LVDS Input Common Mode Voltage Range	$V_{DIFFLVDS} = \pm 100\text{ mV}$ (Note 2)		1.25		V
I_{IN}	LVDS Input Current	$V_{IN} = +2.4V$, $V_{CC} = 3.6V$ $V_{IN} = 0V$, $V_{CC} = 3.6V$			±10	μA

RSDS TRANSMITTER OUTPUT ($RSCKP/N$, $RSx[y]P/N$; $x = R, G, B$ $y = 0, 1, 2$)

Symbol	Parameter	Conditions	Min	Typ	Max	Units
V_{OHRSDS}	RSDS High Differential Output Voltage	$V_{CMRSDS} = +1.3V \pm 5\%$ (Note 3)	+150	+200		mV
V_{OLRSDS}	RSDS Low Differential Output Voltage	$V_{CMRSDS} = +1.3V \pm 5\%$ (Note 3)		-200	-150	mV
V_{CMRSDS}	RSDS Common Mode Output Voltage	$V_{DIFFRSDS} = \pm 200\text{ mV}$ (Note 3)		1.3		V

Note 1: "Absolute Maximum Ratings" are those values beyond which the safety of the device cannot be guaranteed. They are not meant to imply that the devices should be operated at these limits. The table of "Electrical Characteristics" specifies conditions of device operation.

Note 2: $V_{CMLVDS} = (V_{RxCLK+} + V_{RxCLK-})/2$ or $V_{CMLVDS} = (V_{RxIN[y]+} + V_{RxIN[y]-})/2$; $y = 0, 1, 2, 3$.

$V_{DIFFLVDS} = V_{RxCLK+} - V_{RxCLK-}$ or $V_{DIFFLVDS} = V_{RxIN[y]+} - V_{RxIN[y]-}$; $y = 0, 1, 2, 3$

Note 3: $V_{CMRSDS} = (V_{RSCKP} + V_{RSCKN})/2$ or $V_{CMRSDS} = (V_{RSx[y]P} + V_{RSx[y]N})/2$; $x = R, G, B$ $y = 0, 1, 2$

$V_{DIFFRSDS} = V_{RSCKP} - V_{RSCKN}$ or $V_{DIFFRSDS} = V_{RSx[y]P} - V_{RSx[y]N}$; $x = R, G, B$ $y = 0, 1, 2$

The Termination Resistor for differential line between positive and negative output is 100Ω.

Pin "PI" is connected to ground by 13.0 kΩ. This parameter is Guaranteed by Design.

AC Electrical Characteristics

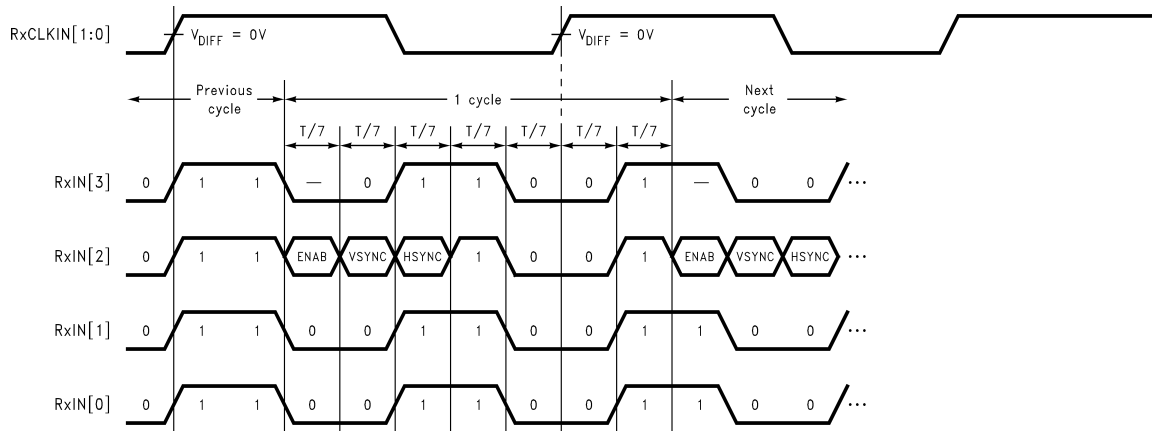
FPD-Link INPUT TIMING $V_{DD} = 3.3V \pm 0.3V$, $V_{SS} = 0.0V$ (Unless otherwise specified).

Symbol	Parameter	Conditions	Min	Typ	Max	Units
RPLLS	FPD-Link Receiver Phase Lock Loop Wake-up Time				10	ms
RSKM	RxIN Skew Margin (Note 4)	$V_{DD} = 3.3V$, $T_A = 25^\circ C$	400			ps

Note 4: Receiver Skew Margin is defined as the valid data sampling region at the receiver inputs.

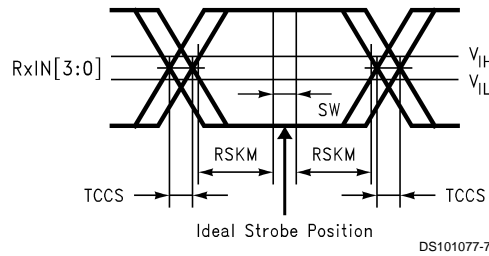
This margin takes into account transmitter output skew (TCCS) and the setup and hold time (internal data sampling window) allowing for FPD-Link LVDS cable skew dependent on type/length of cable, and source clock (FPD-Link Transmitter TxCLK IN) jitter.

$RSKM \leq \text{cable skew (type, length)} + \text{source clock jitter (cycle to cycle)}$. The specified RSKM minimum assumes a TPPOSmax limit of 200ps (65MHz). This parameter is Guaranteed by Design.



DS101077-6

FIGURE 1. FPD87310 Input I_{DD} Test Pattern

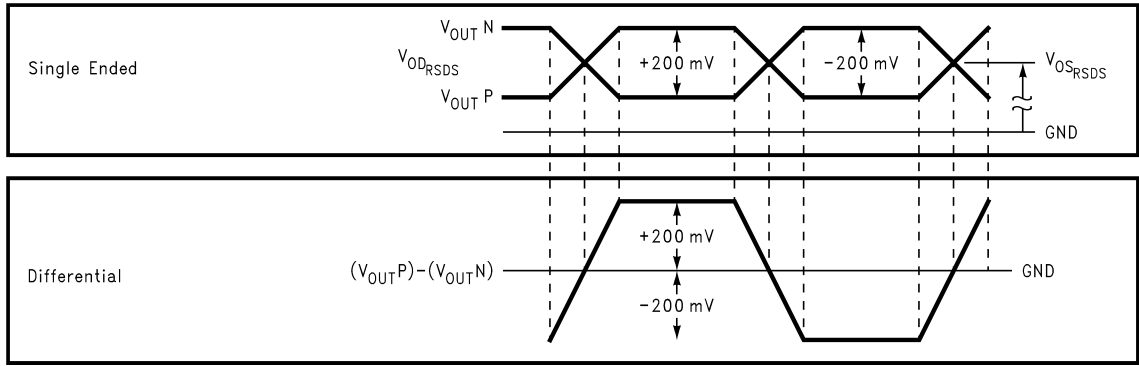


DS101077-7

- SW Setup and Hold Time (internal data sampling window)
- TCCS Transmitter Output Skew
- RSKM $\geq \text{Cable Skew (type, length)} + \text{Source Clock Jitter (cycle to cycle)}$
- Cable Skew Typically 10 ps - 40 ps per foot.

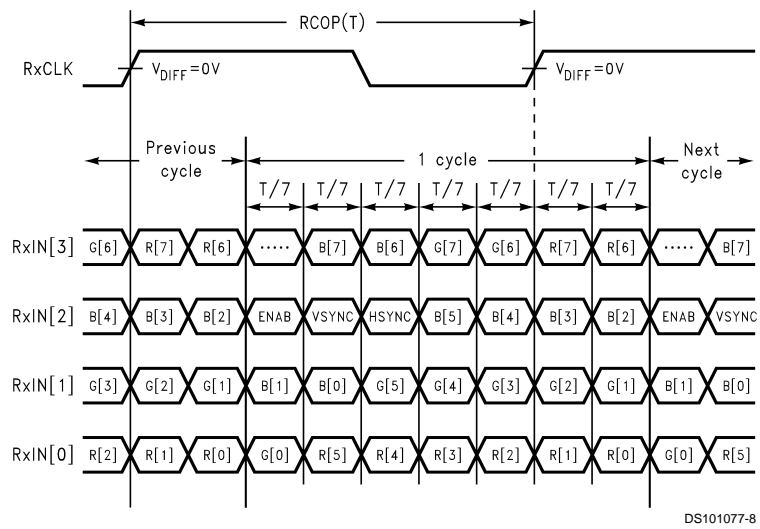
FIGURE 2. FPD87310 (FPD-Link Receiver) Input Skew Margin

AC Electrical Characteristics (Continued)



DS101077-34

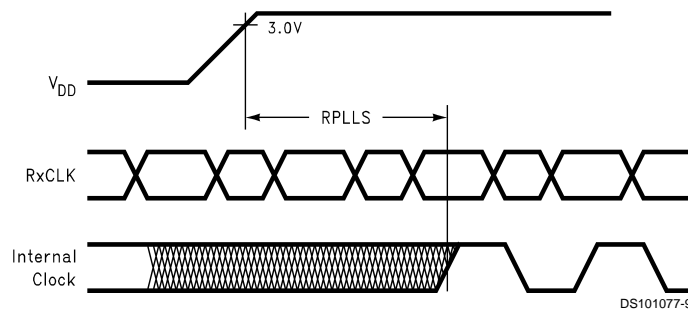
FIGURE 3. RSDS Waveform - Single Ended and Differential



DS101077-8

FIGURE 4. FPD87310 (FPD-Link Receiver) Input Data Mapping

Note: R/G/B [7] are the MSBs and R/G/B [0] are LSBs. This mapping is specific to this device only. Transmitters must be able to support this mapping for inter-operability.



DS101077-9

FIGURE 5. FPD87310 (FPD-Link Receiver) Phase Lock Loop Wake-up Time

AC Electrical Characteristics (Continued)

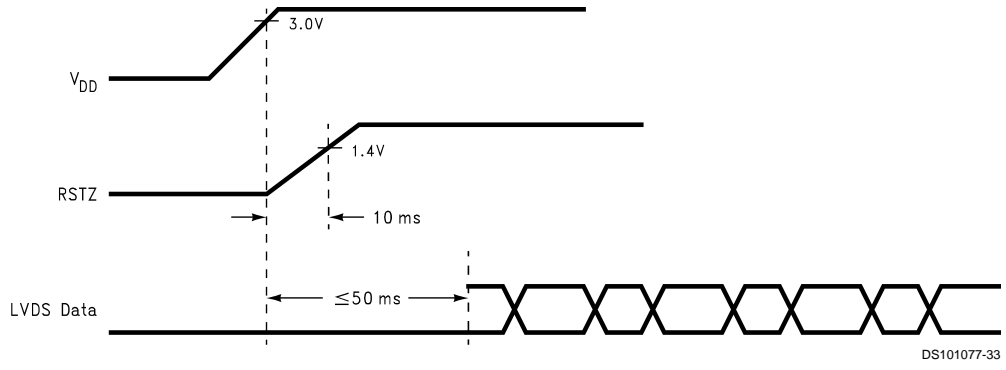
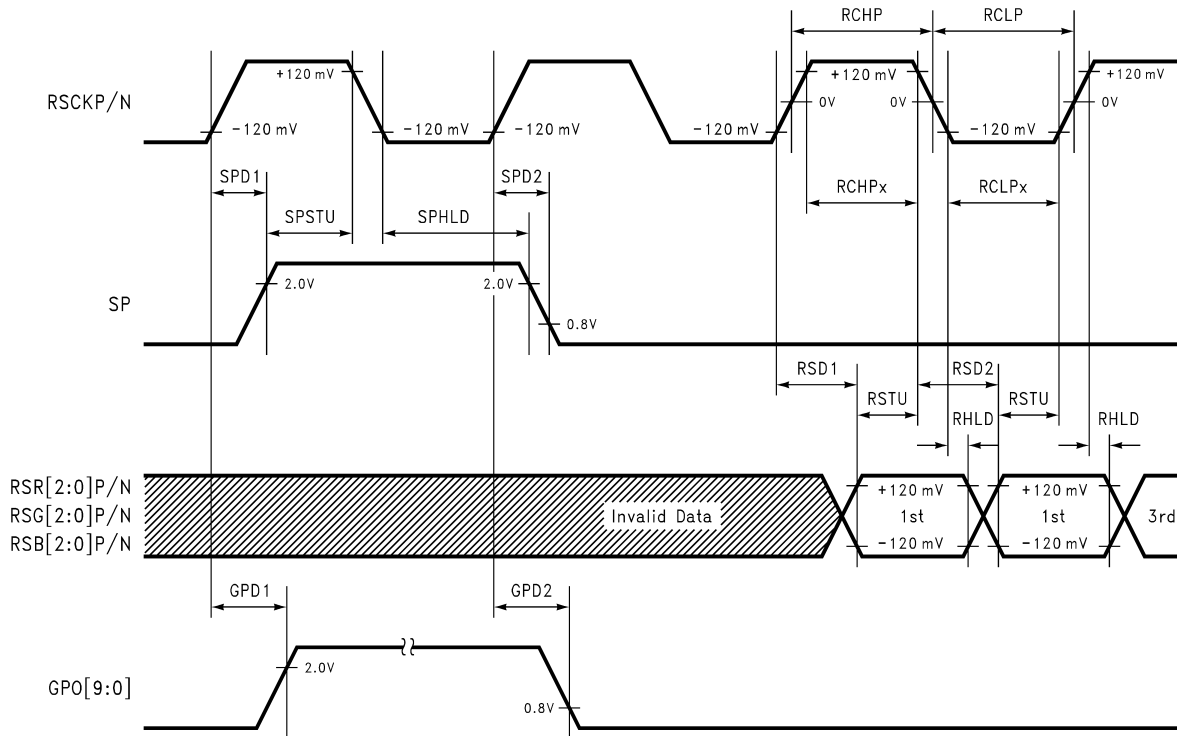


FIGURE 6. FPD87310 Power Up Sequence

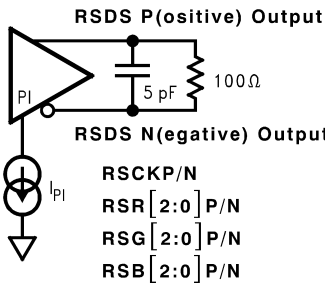
AC Electrical Characteristics (Continued)

RSDS (Reduced Swing Differential Signalling) Output Timing, these parameters are Guaranteed by Design.

Symbol	Parameter	Conditions	Min	Typ	Max	Units
SPD1	SP Rising from RSCK Rising	$C_L = 15 \text{ pF}$	0		3.0	ns
SPD2	SP Falling from RSCK Rising	$C_L = 15 \text{ pF}$	0		3.0	ns
GPD1	GPO[9:0] Rising from RSCK Rising	$C_L = 15 \text{ pF}$	0		14	ns
GPD2	GPO[9:0] Falling from RSCK Rising	$C_L = 15 \text{ pF}$	0		14	ns
RCHP	RSDS Clock (RSCK) High Period	$R_T = 100\Omega, C_T = 5 \text{ pF}$ $I_{PI} = 100 \mu\text{A},$ $f=65\text{MHz}$	7.0			ns
RCLP	RSDS Clock (RSCK) Low Period	$R_T = 100\Omega, C_T = 5 \text{ pF}$ $I_{PI} = 100 \mu\text{A},$ $f=65\text{MHz}$	7.0			ns
RSTU	RSR,G,B Setup to Falling or Rising Edge of RSCK, Register Output Format Control = 0010	$R_T = 100\Omega, C_T = 5 \text{ pF}$ $I_{PI} = 100 \mu\text{A},$ $f=65\text{MHz},$	3.8			ns
RHLD	RSR,G,B Hold from Falling or Rising Edge of RSCK, Register Output Format Control = 0010	$R_T = 100\Omega, C_T = 5 \text{ pF}$ $I_{PI} = 100 \mu\text{A},$ $f=65\text{MHz}$	0.2			ns



DS101077-10

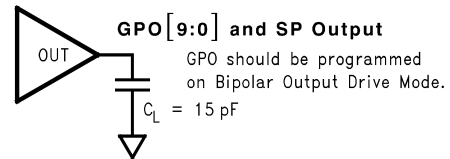


RSCKP/N
RSR [2:0] P/N
RSG [2:0] P/N
RSB [2:0] P/N

$$V_{RSCK} = V_{RSCKP} - V_{RSCKN}$$

$$V_{RSx[y]} = V_{RSx[y]P} - V_{RSx[y]N}$$

$I_{PI} = 100 \mu\text{A}$ (Source Current)
(Typically with $R_{PI} = 13 \text{ k}\Omega$)

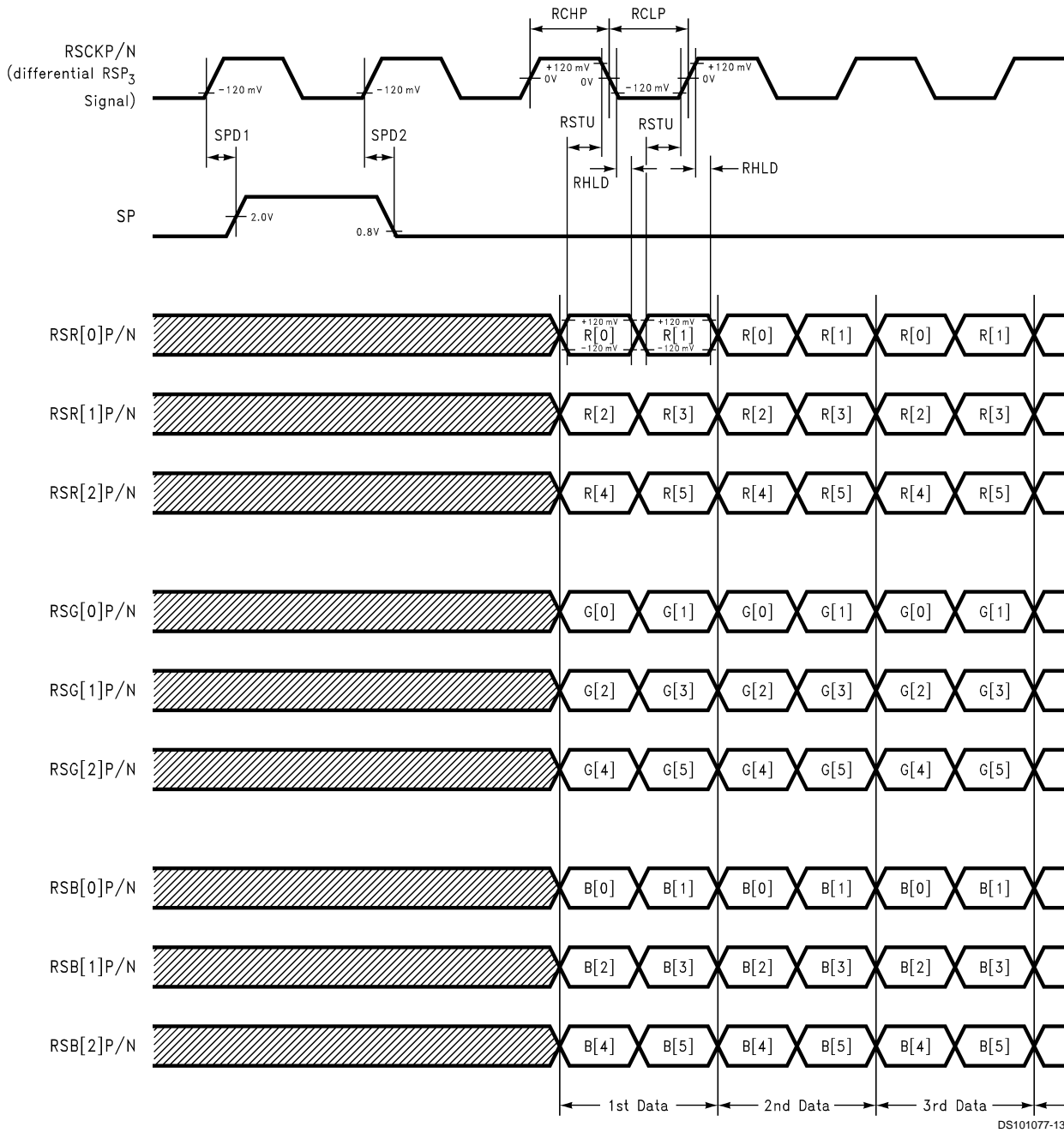


DS101077-12

DS101077-11

FIGURE 7. FPD87310 RSDS Output Timing Diagram

AC Electrical Characteristics (Continued)



Note: RSCP/N, RSR[2:0]P/N, RSG[2:0]P/N and RSB[2:0]P/N are differential outputs, SP is single ended output.

FIGURE 8. FPD87310 RSDS Output Data Mapping

AC Electrical Characteristics (Continued)

EEPROM INTERFACE TIMING

This table is provided for reference only.

Symbol	Parameter	Conditions	Min	Typ	Max	Units
f_{SC}	EE_SC Clock Frequency			100		kHz
SC:LOW	Clock Low Period	$R_p = 4.7\text{ k}\Omega, C_L = 50\text{ pF}$	4.7			μs
SC:HIGH	Clock High Period	$R_p = 4.7\text{ k}\Omega, C_L = 50\text{ pF}$	4.0			μs
SCD:TR	EE_SC and EE_SD Rise Time	$R_p = 4.7\text{ k}\Omega, C_L = 50\text{ pF}$			1.0	μs
SCD:TF	EE_SC and EE_SD Fall Time	$R_p = 4.7\text{ k}\Omega, C_L = 50\text{ pF}$			0.3	μs
HD:STA	Start Condition Hold Time	$R_p = 4.7\text{ k}\Omega, C_L = 50\text{ pF}$	4.0			μs
HD:STO	Stop Condition Hold Time	$R_p = 4.7\text{ k}\Omega, C_L = 50\text{ pF}$	0.6			μs
DL:DAT _H	Clock Falling Edge to Data High	$R_p = 4.7\text{ k}\Omega, C_L = 50\text{ pF}$			400	ns
DL:DAT _L	Clock Falling Edge to Data Low	$R_p = 4.7\text{ k}\Omega, C_L = 50\text{ pF}$			400	ns
SU:DAT	Data Latch Setup Time	$R_p = 4.7\text{ k}\Omega, C_L = 50\text{ pF}$	250			ns
HD:DAT	Data Latch Hold Time	$R_p = 4.7\text{ k}\Omega, C_L = 50\text{ pF}$	5			μs
BUF	Bus Free Time	$R_p = 4.7\text{ k}\Omega, C_L = 50\text{ pF}$	4.7			μs

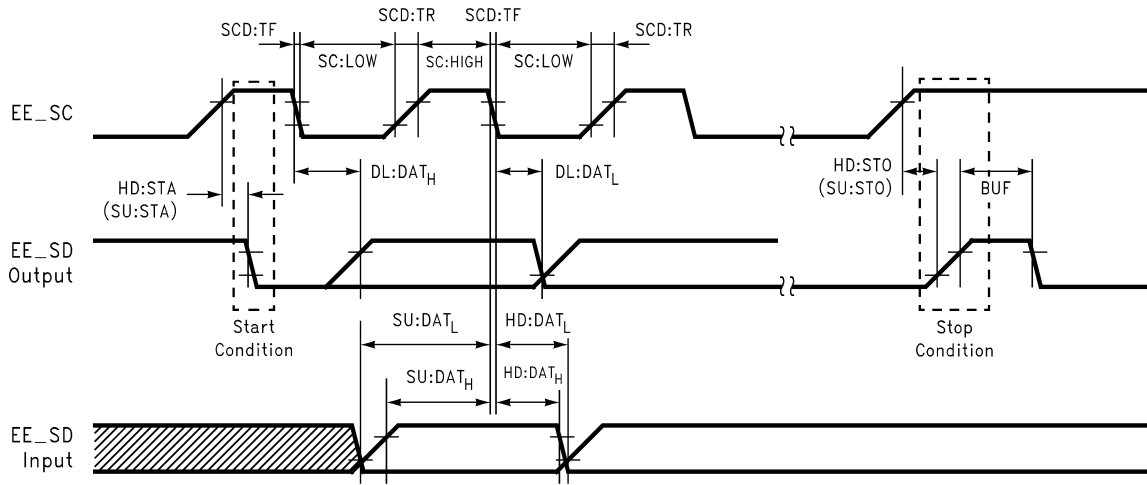


FIGURE 9. EEPROM Interface Bus Timing

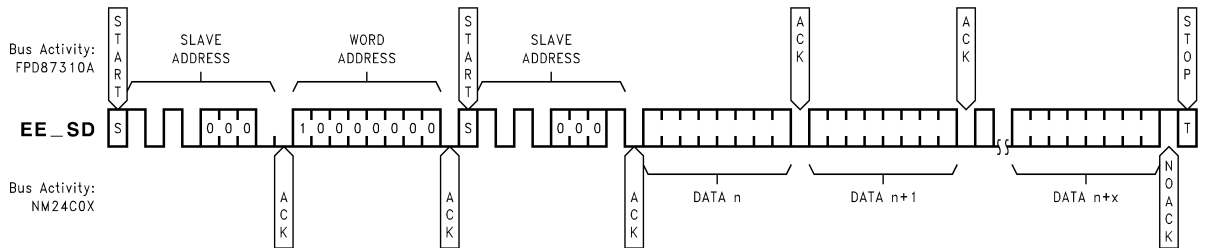
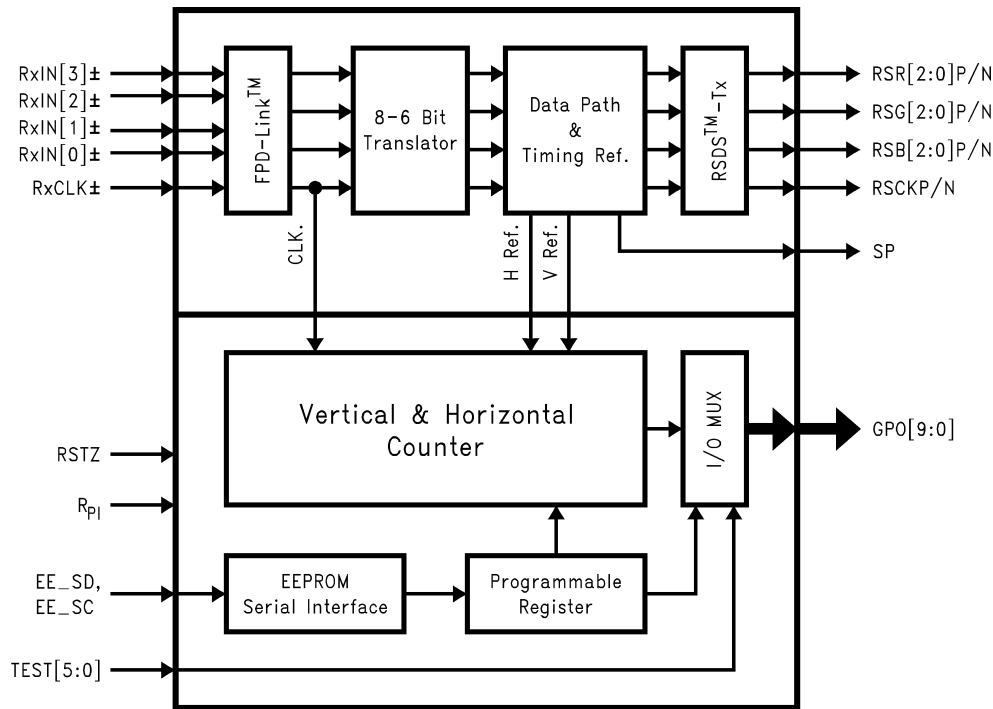


FIGURE 10. EEPROM Sequential Read

Block Diagram



DS101077-3

Functional Description

FPD-Link RECEIVER

The LVDS based FPD-Link Receiver inputs video data and control timing. 4-LVDS channels plus clock provide 24 bits color. 3-LVDS channels can be used for 18 bits color. The video data is regenerated to a parallel data stream and routed to the 8-6 bit translator.

The GPOs (General Purpose Outputs) continue outputting the programmed control sequence at a reduced frame rate. RSTZ initialized the chip with the default register values.

SPREAD SPECTRUM SUPPORT

The FPD-Link receiver supports graphics controllers with Spread Spectrum interfaces for reducing EMI. The Spread Spectrum method supported is Center Spread. A maximum of 2% Center Spread is supported at a frequency modulation of 200kHz maximum.

8-6 BIT TRANSLATOR

8-bit data is reduced to a 6-bit data path via a time multiplexed dithering technique or simple truncation of the LSBs. This function is enabled via the Input Control Register bits [4,3]. Care should be taken in providing the correct input color mapping (see Figure 4)

DATAPATH BLOCK AND RSDS TRANSMITTER

6-bit video data (RGB) is input to the Datapath Block at a 65 MHz rate.

The data is delayed to align the Column Driver Start Pulse (SP) with the Column Driver data. The data (RSR[2:0]P/N, RSG[2:0]P/N, RSB[2:0]P/N) is output at a 130 MHz rate on 9 differential output channels (9 pairs of outputs).

The clock is output on the RSCKP/N differential pair.

The RSDS Column Drivers latch data on both positive and negative edges of the clock.

VERTICAL AND HORIZONTAL COUNTER

The counter block provides control to the Column Drivers, Row Drivers, and power supply as GPOs (General Purpose Outputs). Several video input formats are supported; Video timing which is fixed vertically, and horizontally (ENAB is ignored); Video timing which is fixed vertically, but uses ENAB for horizontal positioning; ENAB Only Mode which uses ENAB to position both vertically and horizontally. The FIX_VERT and FIX_HORIZ along with internal ENAB detection circuitry; control the operational mode. The fixed vertical and horizontal position points are programmable.

TIMING CONTROL

The Timing Control function generates control to Column Drivers, Row Drivers, and power supply. The programmable GPOs (General Purpose Outputs) provide for CD latch pulse, REV, and Row Driver control generation.

The General Purpose Outputs allow the user to generate control anywhere within the frame data. Standard Row Driver interface or Custom Row Driver interfaces can be implemented with the 10 GPOs (General Purpose Outputs). Note that GPO[9] must be used for output blanking control.

THE GENERAL PURPOSE OUTPUTS

Five registers provide the timing definition for each GPO.

- The Horizontal Start Register defines the output pixel number for which the GPO output goes active.
- The Horizontal Duration Register determines how many clocks the output will remain active during the line.
- The Vertical Start Register defines at what line# the output become active.
- The Vertical Duration Register defines how many lines the output remains active.

Functional Description (Continued)

- Each output has a Control Register (bit [0]) which defines the GPO polarity (active high or low). Another bit in the Control Register (bit [1]) enables the “toggle” mode. This mode is useful in REV generation when alternating polarity is required from line to line. Frame to Frame polarity changes are made by programming an odd # in the vertical duration register when in “toggle” mode.

Two of the General Purpose Outputs have additional capabilities.

GPO[0] is capable of performing line inversion on the output data. Bits [4,3] of the Output Format Control Register provides control for this function.

GPO[9] controls output blanking and must be used for this purpose. If output blanking is not desired, this register must be programmed to always be active.

Black or White Data Generation (all “0” or “1” data) at the end of each frame is generated when Input Format Control Register bits [7,6] is set “10” or “11”. When those bits are set, Black or White data is output after line #768 if GPO[9] is active.

SERIAL EEPROM INTERFACE

The Serial EEPROM Interface controls the FPD87310 initialization. If the first byte word read from the EEPROM is not “00”, the internal default values are used to initialize all programmable function of the FPD87310.

At power-up, the FPD87310 configures the internal programmable registers with data from the EEPROM. After the FPD87310 is initialized, the EEPROM can be accessed by the system in which display configuration and manufacturing information can be obtained. The EEPROM can be programmed “in system” providing quick evaluation of different display timing. External access to the EEPROM must be preceded by pin TEST[2] = “1” in order to interrupt the FPD87310 download. Continuous initialization with EEPROM is also selectable by pin TEST[2] = “0”.

The FPD87310 initialization data begins at EEPROM address 080_H. The first 128 bytes (00_H–07F_H) are reserved for display identification data.

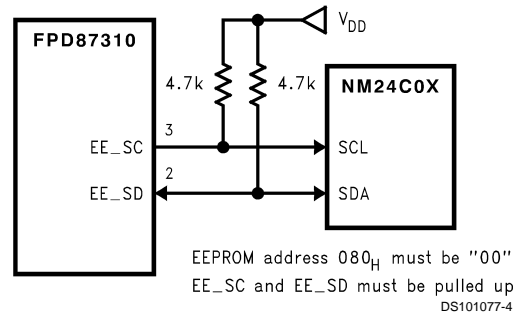


FIGURE 11. EEPROM Connection

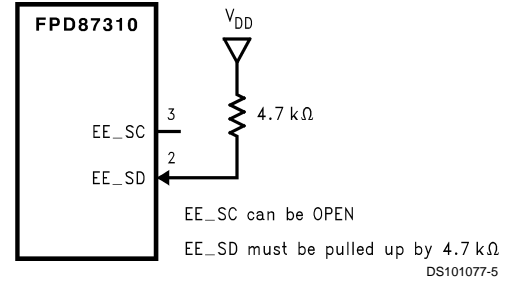


FIGURE 12. Without EEPROM

RSDS OUTPUT VOLTAGE CONTROL

The RS_{DS} output voltage swing is controlled through an external load resistor connected to the R_{PI} pin. Typical value for the R_{PI} is 13kΩ for most applications. However, this is dependent on overall LCD module design characteristics such as trace impedance, termination, etc. The RS_{DS} output voltage is inversely related to the R_{PI} value. Lower R_{PI} values will increase the RS_{DS} output voltage swing and consequently overall power consumption will also increase. See *Figure 13*

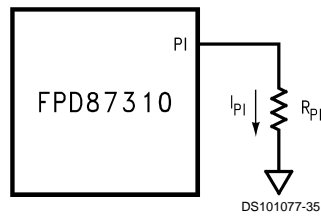


FIGURE 13. R_{PI} Connection Diagram

Programmable Registers

At power-up, data is read from an external EEPROM. If anything other than 00H is read back on the first EEPROM access (indicating EEPROM not present), the internal default values are used.

Pull-Up must be used on EE_SD pin if external EEPROM is not used.

The following parameters are initialized at power up.

TABLE 1. FPD87310 Programmable Register Definition

Control Registers	EEPROM Address	The CONTROL REGISTER provide more setting information to the input and output interfaces.
Output Format Control (16 bits)	082 _H , 081 _H	[2:0] Reserved [3] Output Data Inversion "0" - Data inversion is Disabled "1" - Data inversion is Enabled [4] Output Data Inversion/Polarity "0" - Data Inversion when GPO[0] is "0" "1" - Data inversion when GPO[0] is "1" [7:5] Reserved [11:8] RSDS output setup/hold time control [13:12] Unused Pixels "00" - no unconnected pixels at beginning of first CD "01" - 1 unconnected pixels at beginning of first CD "10" - 2 unconnected pixels at beginning of first CD "11" - 3 unconnected pixels at beginning of first CD [15:14] Reserved
Input Format Control (8 bits)	085 _H	[1:0] Reserved [2] Reserved [3] Frame Rate Control (8 bits only) "0" - Enable Frame Rate Control "1" - Disable Frame Rate Control (Truncate LSBs) [4] 8/6 Bits Video "0" - 6 Bits Video "1" - 8 Bits Video [5] Reserved [7:6] Black or White data Generation "00" - No data manipulation is performed "10" - Data goes to "0" when GPO[9] is "0" "11" - Data goes to "1" when GPO[9] is "0" Black data "0" or White data "1" will be output on lines > 768. GPO[9] must be programmed to > 768 lines for data to be output.
Horizontal Backporch (11 bits)	087 _H , 086 _H	# of 65 MHz clocks after the falling edge of HYSYNC until start of video.
Vertical Backporch (11 bits)	089 _H , 088 _H	# of HSYNC from VSYNC falling edge until start of video.

Programmable Registers (Continued)

TABLE 1. FPD87310 Programmable Register Definition (Continued)

Control Registers	EEPROM Address	The CONTROL REGISTER provide more setting information to the input and output interfaces.
General Purpose Output GPO Registers (10 sets)	See Table 2 EEPROM Memory Map GPO[0]:a=08B _H GPO[1]:a=094 _H GPO[2]:a=09D _H GPO[3]:a=0A6 _H GPO[4]:a=0AF _H GPO[5]:a=0B8 _H GPO[6]:a=0C1 _H GPO[7]:a=0CA _H GPO[8]:a=0D3 _H GPO[9]:a=0DC _H	<p>The GPO registers provide complete control over placement of control edges/strobes within the data frame.</p> <p>The GPO timing registers (Vertical Start, Vertical Duration, Horizontal Start, and Horizontal Duration) define the control timing relative to the Internal line and pixel counters. The line counter corresponds to the line being displayed. The pixel counter corresponds to the pixel output each line. The Control Register provides polarity selection and/or generation of a line to line frame to frame alternating signal (REV). Each General Purpose Output can be uniquely configured.</p> <p>See the GPO programming examples for details.</p> <ul style="list-style-type: none"> - GPO[0]: provides for the data inverting function enabled by bit [3] of the Output Format Control Register. - GPO[9]: provides programmable data and clock blanking.
Horizontal Start (11 bits)	(a+1), (a)	Internal count (pixel counter) at which GPO[x] goes active
Horizontal Duration (11 bits)	(a+3), (a+2)	# Pixel Clocks GPO[x] is active after Horizontal Start (if "0", Horizontal component is always on)
Vertical Start (11 bits)	(a+5), (a+4)	Line# at which GPO[x] control generation begins
Vertical Duration (11 bits)	(a+7), (a+6)	# Lines GPO[x] control generation continues (if "0", Vertical component is always on)

Programmable Registers (Continued)

TABLE 1. FPD87310 Programmable Register Definition (Continued)

Control Registers	EEPROM Address	The CONTROL REGISTER provide more setting information to the input and output interfaces.	
Control Register (8 bits)	(a+8)	[0]	Output polarity - defines active high or active low output "0" - Normal output (active high) "1" - Inverted output (active low)
		[1]	Toggle circuit Enable/Disable "0" - Toggle circuitry Disabled; Normal GPO output "1" - Toggle circuitry Enabled
		[2]	Automatic Frame Size Detection GPO[1:0]. "0" - Normal Operation. "1" - Used with Toggle circuitry to create a "continuous" REV signal. The value of the Vertical Duration Register is overwritten. GPO[9:2]. "0" - Normal Operation. "1" - Early Start capability. The value in the Vertical Start Register is subtracted from the total number of lines/frames (auto-detected) to determine the vertical start position.
		[4:3]	GPO[9:1] Combination Select. "00" - Select GPO[x] as programmed. (No combination function). "01" - Select GPO[x] "ANDed" with GPO[x-1]. "10" - Select GPO[x] "ORed" with GPO[x-1]. "11" - Select GPO[x] and GPO[x-1] on alternating frames.
		[6:5]	Power-up sequence delay. "00" - Outputs active after 1st VSYNC after EEPROM download. "01" - Outputs active after 2nd VSYNC after EEPROM download. "10" - Outputs active after 3rd VSYNC after EEPROM download. "11" - Outputs active after 4th VSYNC after EEPROM download.
		[7]	Open Drain Output Control "0" - Outputs are Normal Operation. (sink/source drive current) "1" - Outputs are Open Drain. (sink current only)

TABLE 2. Internal Default Register Values and EEPROM Memory Map

No	Address		Bits	Control Register	Register Name	Default Values			
	FF-EF					Init#1	Init#2	Init#3	
				not used/not loaded					
56	E4		8	GPO9 Control Register	reg_gpo9_cont	30	09		
55	E3	E2	11	GPO9 Vertical Duration	reg_gpo9_lcount	00	00	00	00
54	E1	E0	11	GPO9 Vertical Start	reg_gpo9_lstart	00	01	00	01
53	DF	DE	11	GPO9 Horizontal Duration	reg_gpo9_pcount	00	40	00	40
52	DC	DD	11	GPO9 Horizontal Start	reg_gpo9_pstart	03	86	03	86
51	DB		8	GPO8 Control Register	reg_gpo8_cont	21	09		
50	DA	D9	11	GPO8 Vertical Duration	reg_gpo8_lcount	00	00	00	01
49	D8	D7	11	GPO8 Vertical Start	reg_gpo8_lstart	00	01	00	01
48	D6	D5	11	GPO8 Horizontal Duration	reg_gpo8_pcount	00	00	00	40
47	D4	D3	11	GPO8 Horizontal Start	reg_gpo8_pstart	00	01	01	C2
46	D2		8	GPO7 Control Register	reg_gpo7_cont	00	09		
45	D1	D0	11	GPO7 Vertical Duration	reg_gpo7_lcount	00	00	00	01
44	CF	CE	11	GPO7 Vertical Start	reg_gpo7_lstart	00	00	00	01
43	CD	CC	11	GPO7 Horizontal Duration	reg_gpo7_pcount	00	00	00	40

Programmable Registers (Continued)

TABLE 2. Internal Default Register Values and EEPROM Memory Map (Continued)

No	Address		Bits	Control Register	Register Name	Default Values					
42	CB	CA	11	GPO7 Horizontal Start	reg_gpo7_pstart	00	00	01	42		
41	C9		8	GPO6 Control Register	reg_gpo6_cont	00		09			
40	C8	C7	11	GPO6 Vertical Duration	reg_gpo6_lcount	00	00	00	01		
39	C6	C5	11	GPO6 Vertical Start	reg_gpo6_lstart	00	00	00	01		
38	C4	C3	11	GPO6 Horizontal Duration	reg_gpo6_pcount	00	00	00	40		
37	C2	C1	11	GPO6 Horizontal Start	reg_gpo6_pstart	00	00	00	C2		
36	C0		8	GPO5 Control Register	reg_gpo5_cont	00		01			
35	BF	BE	11	GPO5 Vertical Duration	reg_gpo5_lcount	00	00	00	01		
34	BD	BC	11	GPO5 Vertical Start	reg_gpo5_lstart	00	00	00	01		
33	BB	BA	11	GPO5 Horizontal Duration	reg_gpo5_pcount	00	00	00	40		
32	B9	B8	11	GPO5 Horizontal Start	reg_gpo5_pstart	00	00	00	42		
31	B7		8	GPO4 Control Register	reg_gpo4_cont	00		00			
30	B6	B5	11	GPO4 Vertical Duration	reg_gpo4_lcount	00	00	00	00		
29	B4	B3	11	GPO4 Vertical Start	reg_gpo4_lstart	00	01	00	01		
28	B2	B1	11	GPO4 Horizontal Duration	reg_gpo4_pcount	00	50	00	50		
27	B0	AF	11	GPO4 Horizontal Start	reg_gpo4_pstart	03	FA	03	FA		
26	AE		8	GPO3 Control Register	reg_gpo3_cont	00		20			
25	AD	AC	11	GPO3 Vertical Duration	reg_gpo3_lcount	00	00	00	00		
24	AB	AA	11	GPO3 Vertical Start	reg_gpo3_lstart	00	01	00	01		
23	A9	A8	11	GPO3 Horizontal Duration	reg_gpo3_pcount	02	A0	00	00		
22	A7	A6	11	GPO3 Horizontal Start	reg_gpo3_pstart	03	86	00	02		
21	A5		8	GPO2 Control Register	reg_gpo2_cont	00		01			
20	A4	A3	11	GPO2 Vertical Duration	reg_gpo2_lcount	00	01	00	01		
19	A2	A1	11	GPO2 Vertical Start	reg_gpo2_lstart	00	01	00	01		
18	A0	9F	11	GPO2 Horizontal Duration	reg_gpo2_pcount	05	46	00	A0		
17	9E	9D	11	GPO2 Horizontal Start	reg_gpo2_pstart	00	02	00	02		
16	9C		8	GPO1 Control Register	reg_gpo1_cont	07		07			
15	9B	9A	11	GPO1 Vertical Duration	reg_gpo1_lcount	00	01	00	01		
14	99	98	11	GPO1 Vertical Start	reg_gpo1_lstart	00	01	00	01		
13	97	96	11	GPO1 Horizontal Duration	reg_gpo1_pcount	04	00	04	00		
12	95	94	11	GPO1 Horizontal Start	reg_gpo1_pstart	03	FA	03	FA		
11	93		8	GPO0 Control Register	reg_gpo0_cont	06		06			
10	92	91	11	GPO0 Vertical Duration	reg_gpo0_lcount	00	01	00	01		
9	90	8F	11	GPO0 Vertical Start	reg_gpo0_lstart	00	02	00	02		
8	8E	8D	11	GPO0 Horizontal Duration	reg_gpo0_pcount	04	00	04	00		
7	8C	8B	11	GPO0 Horizontal Start	reg_gpo0_pstart	03	FA	03	FA		
6	8A		8	(Reserved)							
5	89	88	11	Vertical Backporch	reg_vbp	00	23	00	23		
4	87	86	11	Horizontal Backporch	reg_hbp	01	28	01	28		
3	85		8	Input Format Control	reg_input_format	00		00		00	
2	84		8	(Reserved)							
1	83		8	(Reserved)							
0	82	81	16	Output Format Control	reg_output_format	02	00	02	00	02	00
	80		8	(Programmed to "00H" for EEPROM auto detect)		00		00		00	
	7F-00			DDC VESA DATA							

Timing Definition

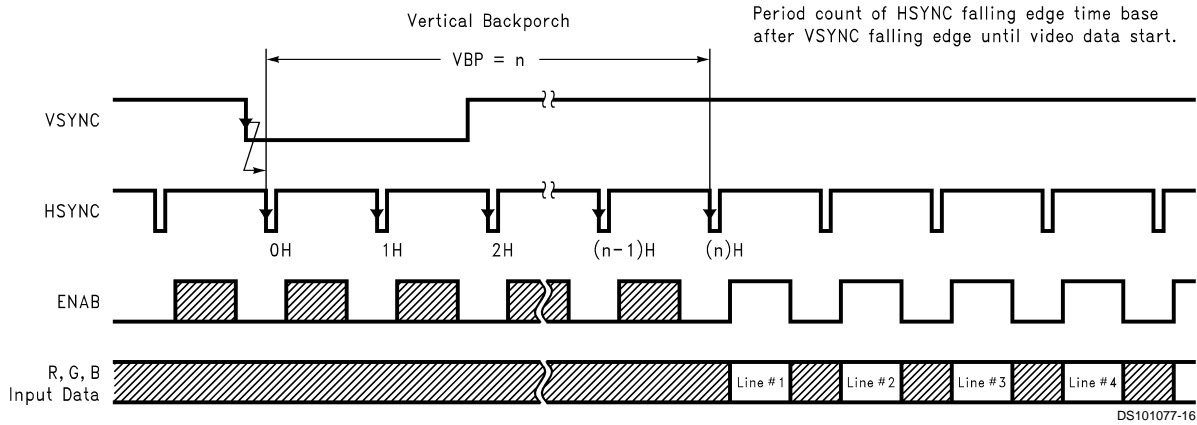
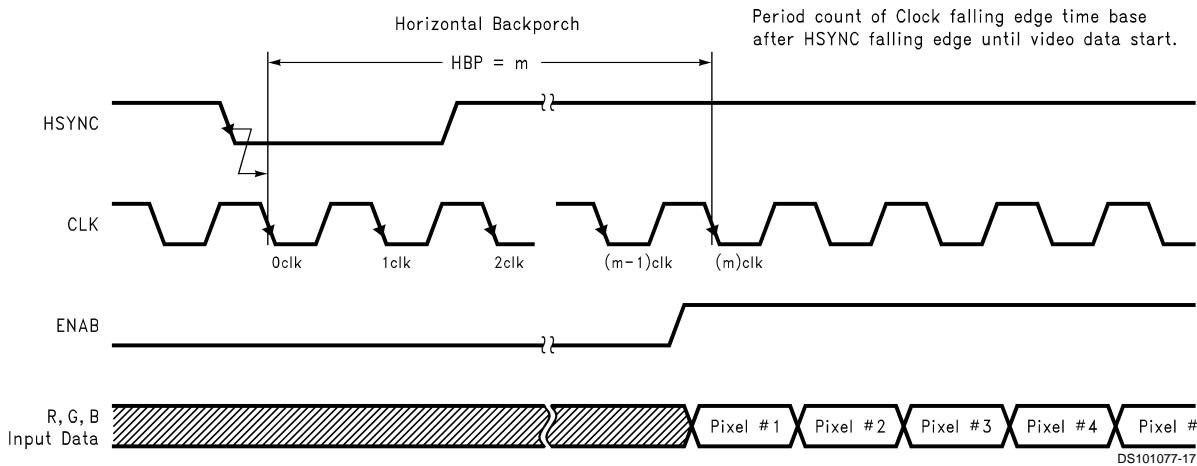
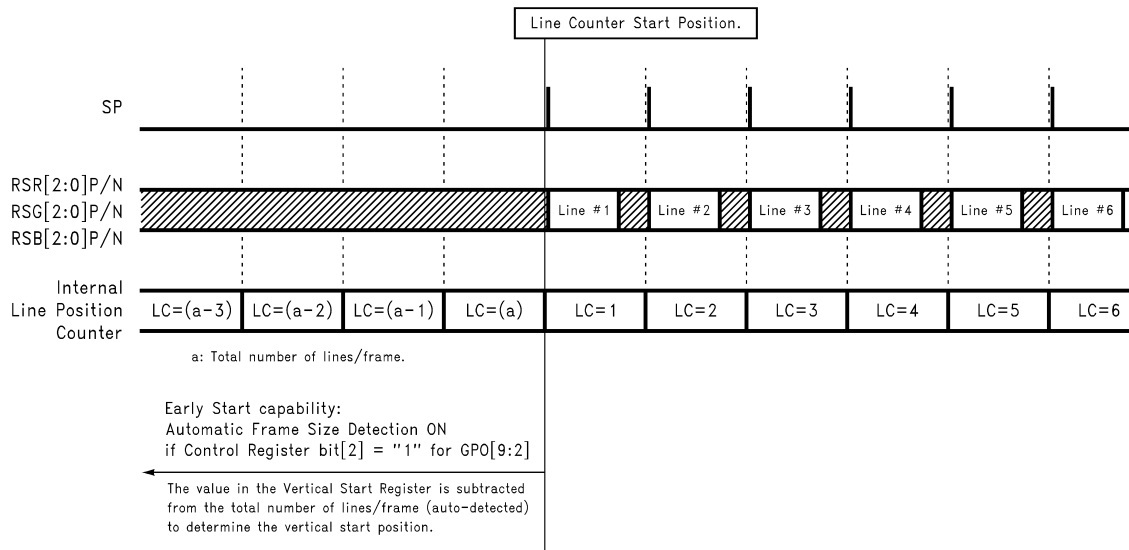


FIGURE 14. Vertical Backporch Definition



Note: Horizontal Position determined by ENAB if FIX_VERT = "0" and ENAB is active.

FIGURE 15. Horizontal Backporch Definition

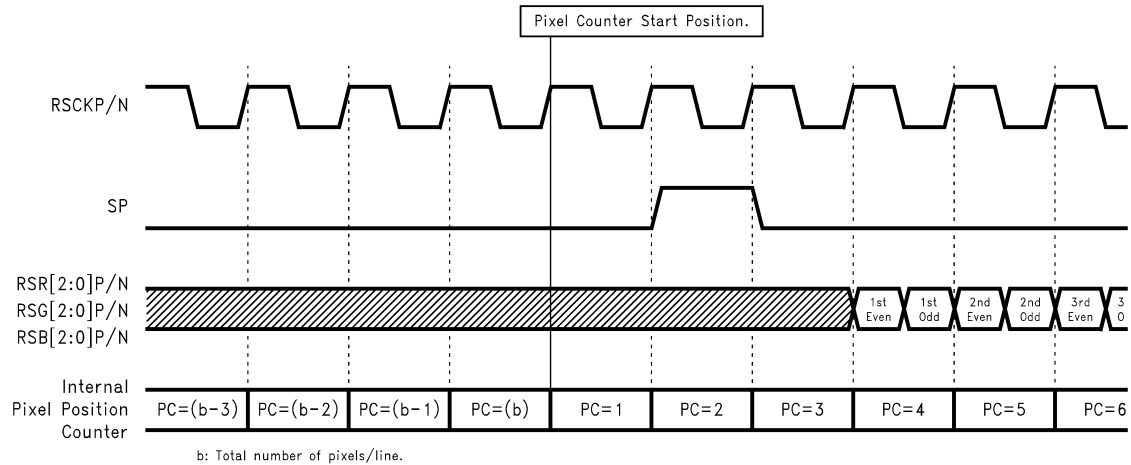


Internal Line Count = lines per frame count
Internal Line Count Maximum = 2048
Internal Line Count is used to generate the Vertical_Component for GPOs.

DS101077-18

FIGURE 16. Internal Line Position Counter

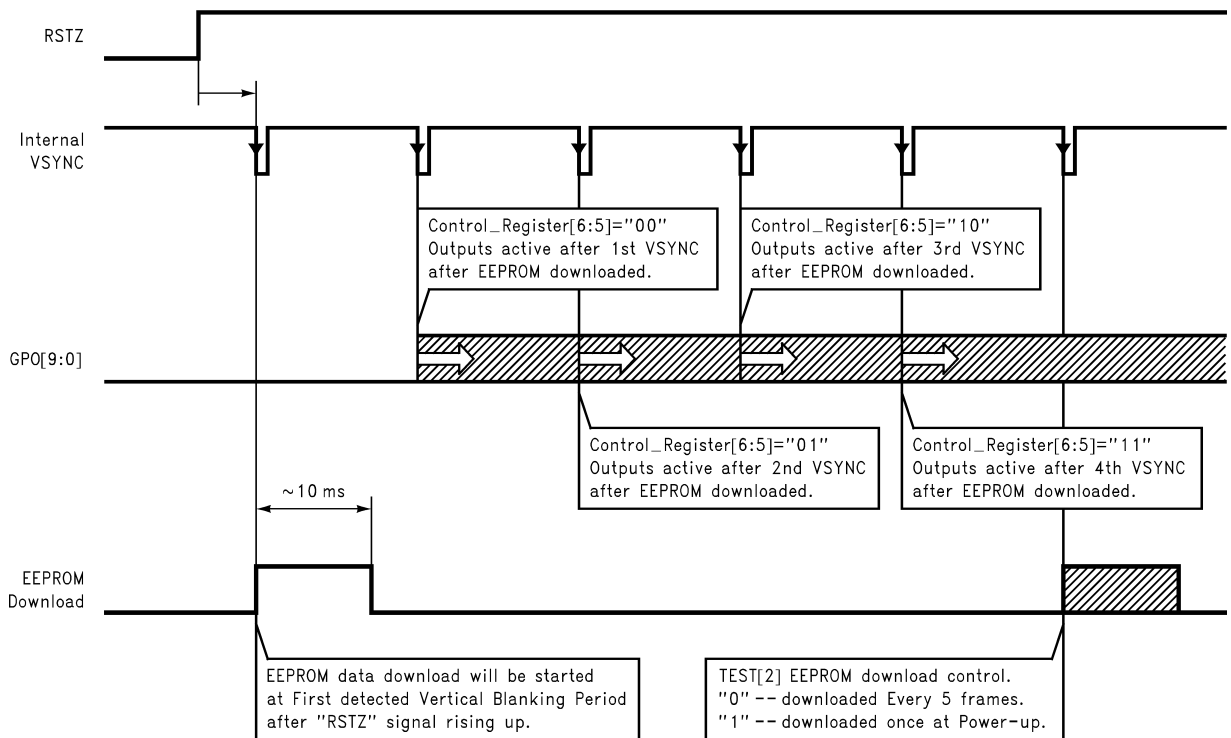
Timing Definition (Continued)



Internal Pixel Count Final value = pixels per line
 Internal Pixel Count Maximum = 2048 (65 MHz Clocks)
 Internal Pixel Count is used to generate the Horizontal_Component for GPOs.

DS101077-19

FIGURE 17. Internal Pixel Position Counter

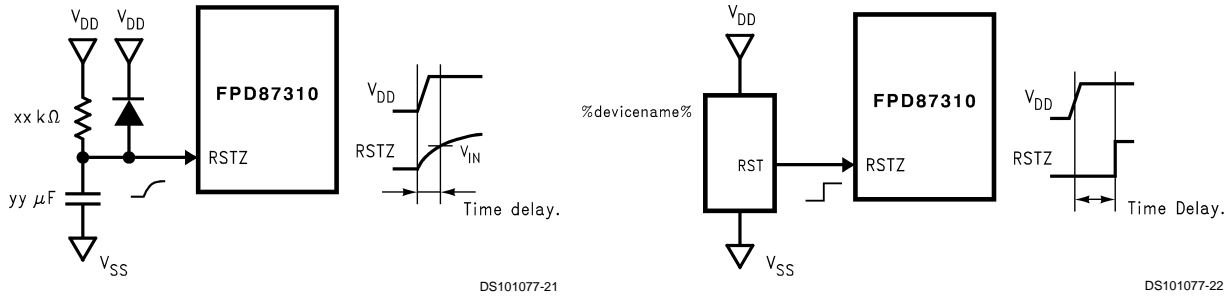


DS101077-20

EEPROM download occurs at first detected Vertical Blanking Period after "RSTZ" signal rising up.
 When in "ENAB Only Mode", VSYNC timing is generated internally when ENAB remains "Low" (No Toggle) for more then 2 line times.
 Outputs activation depends on GPO_Control_Register bits [6:5].
 EEPROM download occur every 5 frames when TEST[2] = "0".
 When FPD87310 detected no EEPROM connection, the default value will be used for timing generation.
 If set Early Start Capability, Outputs might be delayed activate position.

FIGURE 18. Power-Up Sequence and EEPROM Downloading

Timing Definition (Continued)



If RSTZ is required long time constant delay or start slow ramping up supply (V_{DD}), NOT recommended to use this reset circuit.

FIGURE 19. Suggested Power-Up Resetting Circuit

Timing Modes

The FPD87310 has Three Input Timing Operation Mode.

1. Fixed Vertical/Fixed Horizontal Mode. (FIX_VERT/FIX_HORIZ)
2. Fixed Vertical/ENAB Horizontal Mode. (FIX_VERT/ENAB_HORIZ/FIX_HORIZ)
3. ENAB Only Mode.

Input Timing Operation Mode can be programmed by input pin "FIX_VERT", and "FIX_HORIZ"

FIX_VERT	FIX_HORIZ	ENAB Toggling	Operation Mode
0	0	Yes	ENAB ONLY
1	0	Yes	FIX_VERT/FIX_HORIZ/ENAB
1	1	X	FIX_VERT/FIX_HORIZ

ENAB ONLY MODE

FIX_VERT="0", FIX_HORIZ="0", ENAB is Toggling

When in ENAB Only Mode, VSYNC timing is generated internally when ENAB remains "Low" (No Toggle) for more than 2 line times.

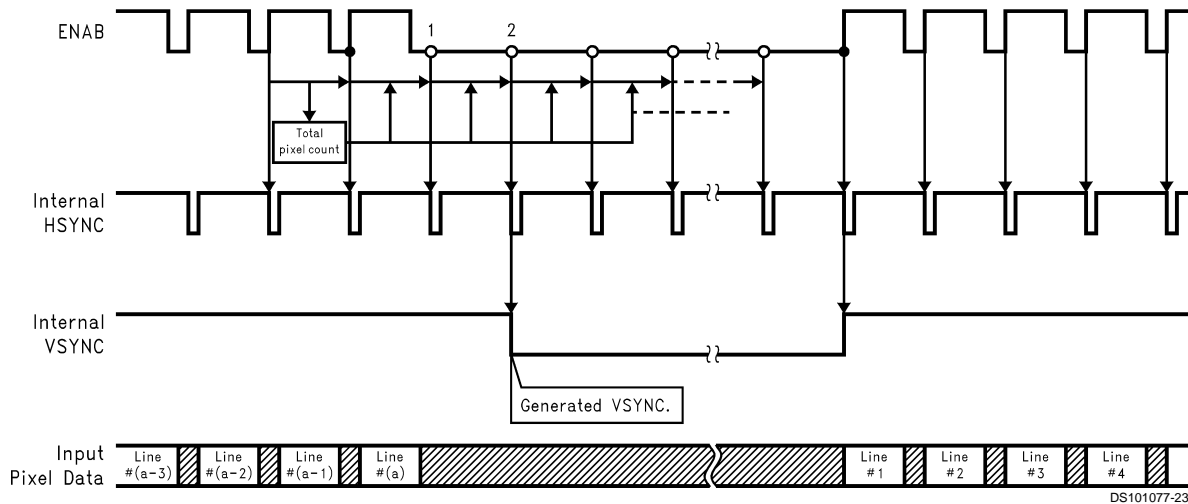
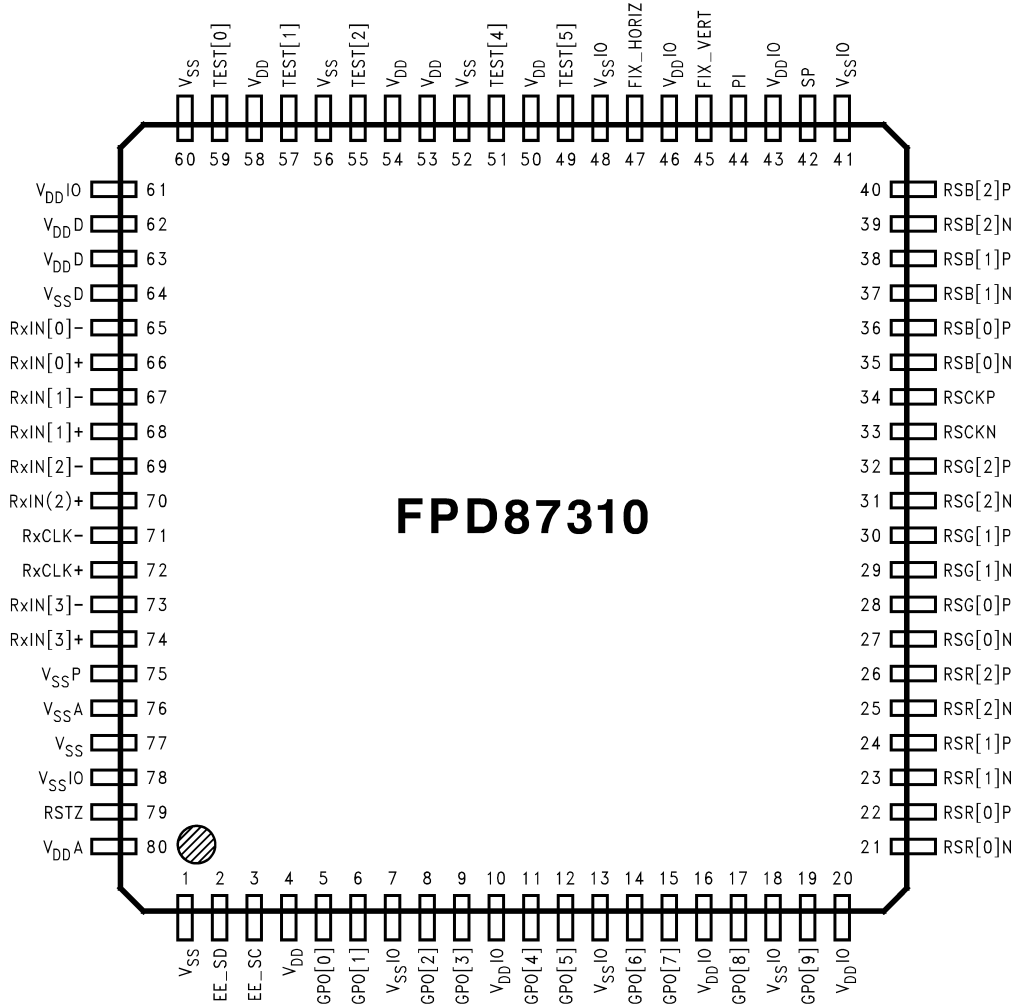


FIGURE 20. ENAB ONLY MODE and Internally Generated Timing

Connection Diagram



FPD87310

Thin Quad Flatpak (TQFP80)

DS101077-2

Pin Description

SYSTEM INTERFACE

Symbol	Pin Count	Type	Function
RxIN[0]+/-	2	LVDSI	FPD-Link Data Differential Pair 0 Input
RxIN[1]+/-	2	LVDSI	FPD-Link Data Differential Pair 1 Input
RxIN[2]+/-	2	LVDSI	FPD-Link Data Differential Pair 2 Input
RxIN[3]+/-	2	LVDSI	FPD-Link Data Differential Pair 3 Input (Used in 8 Bits Video Application)
RxCLK+/-	2	LVDSI	FPD-Link Clock Differential Pair Input
RSTZ	1	STI	Reset Input, Active Low

COLUMN DRIVER INTERFACE

Symbol	Pin Count	Type	Function
RSR[2:0]P/N	6	RSDSO	Red Reduced Swing Differential Outputs to Column Drivers
RSG[2:0]P/N	6	RSDSO	Green Reduced Swing Differential Outputs to Column Drivers
RSB[2:0]P/N	6	RSDSO	Blue Reduced Swing Differential Outputs to Column Drivers
RSCKP/N	2	RSDSO	Clock Reduced Swing Differential Outputs to Column Drivers
SP	1	TO	Start Pulse Output to Column Driver

Pin Description (Continued)

Symbol	Pin Count	Type	Function
PI	1	I	Reference for Reduced Swing Differential Outputs

GENERAL PURPOSE OUTPUTS

Symbol	Pin Count	Type	Function
GPO[9:0]	10	TO/OD	General Purpose Outputs (Programmable)

EEPROM INTERFACE

Symbol	Pin Count	Type	Function
EE_SD	1	I/OD	EEPROM Serial Data
EE_SC	1	OD	EEPROM Clock

POWER SUPPLY

Symbol	Pin Count	Type	Function
V _{DDA}	1	P	FPD-Link PLL and Bandgap Power
V _{DDD}	2	P	FPD-Link Receiver Power
V _{DD}	5	P	Digital Power
V _{DDIO}	6	P	Digital I/O Power
V _{SSP}	1	G	FPD-Link PLL Ground
V _{SSA}	1	G	FPD-Link Bandgap Ground
V _{SSD}	1	G	FPD-Link Receiver Ground
V _{SS}	5	G	Digital Ground
V _{SSIO}	6	G	Digital I/O Ground

TEST/CONFIGURATION

Symbol	Pin Count	Type	Function
FIX_VERT	1	I	Selects VSYNC or ENAB for Vertical Timing "0" = ENAB Vertical Timing "1" = VSYNC Vertical Timing
FIX_HORIZ	1	I	Selects HSYNC or ENAB for Horizontal Timing "0" = ENAB Horizontal Timing "1" = HYNC Horizontal Timing
TEST[0,1,2,4,5]	5	I	Test/Configuration Pins TEST[0]-Must be "0" TEST[1]-Must be "0" TEST[2] EEPROM Init Value Download Control "0" - Downloaded every 5 frames "1" - Downloaded once at Power-Up TEST[4]-Must be "0" TEST[5]-Must be "0"

Pin Type Legend

I	TTL Input
STI	Schmitt Trigger TTL Input
I/TO	TTL Input/TRI-STATE® Output
TO	TRI-STATE Output
OD	Open Drain Output
LVDSI	Low Voltage Differential Signal Input
RSDSO	Reduced Swing Differential Signal Output
P	Power

G Ground

Appendix A: GPO (General Purpose Output) Programming Examples

The GPO control generation is based on the internal line count and pixel count shown in *Figures 16, 17*. Two programmable registers (Vertical Start and Vertical Duration) control the vertical component of the control signal. This establishes at what line and for how many lines the control sig-

Appendix A: GPO (General Purpose Output) Programming Examples (Continued)

nal will be active. Likewise, two programmable registers (Horizontal Start and Horizontal Duration) control the horizontal component of the control signal. The Horizontal register values determine at what pixel count the signal goes active and for how many pixel counts the signal stays active during each line. The Vertical Component enables the signal for however many lines programmed for and the Horizontal Component generates pulses within that vertical time period.

Generally the following types of signals are generated:

1. DC (either "1" or "0")
2. A pulse every line.
3. A pulse once a frame (either in pixels or lines)

4. Pulsed during active video (pulses are blanked during vertical blanking period of frame).

Table 3 describes the programming requirements for general types of pulses generated.

The GPO's also have a "toggle mode". This provides the capability to generate a "REVERSAL" signal used in most LCD applications. Bit[1] of the Central register is set to a "1" to enable toggle mode operation. The GPO is programmed so that a rising edge is produced when the control signal is required to toggle. This generally occurs once each line. Also, the # of edges generated per frame is programmed to be an odd #. This ensures that the control signal will alternate polarity from frame to frame.

Examples of GPO programming to produce specific control signals are included in the following pages.

TABLE 3. GPO Pulse Generation

Type	Vertical Start	Vertical Duration	Horizontal Start	Horizontal Duration	GPO Output
1	=0	=0	=0	=0	Stuck 0 (When Output Polarity = "0") Stuck 1 (When Output Polarity = "1") Polarity control is in GPO Control Register bit [0]
2	=0	=0	#C	#D	Pulse is generated every line beginning at #C pixel clocks from start of output line and lasting for #D pixel clocks.
3	#A	#B	#C	=0	Pulse begins at line #A, pixel #C and continues to line #(A+B), pixel #C (multi-line pulse)
4	#A	#B	#C	#D	Pulse generation begins at line #A and continue for #B lines. Each pulse begins at pixel #C and lasts for #D pixel counts

Note 5: GPO[0]: provides for the data inverting function enabled by bit[3] of the Output Format Control Register.

GPO[9]: provides programmable output RGB data, Clock and SP blanking function enabled by bit[6] of the Input Format Control Register (RSR[2:0]P/N, RSG[2:0]P/N, RSB[2:0]P/N, RSCKP/N and SP).

Appendix A: GPO (General Purpose Output) Programming Examples (Continued)

GPO Programming Example #4b:

Generate a control signal which transitions low 20 output clocks after the beginning of each output line, has a pulse-width (low) of 12 μ s, and goes high during horizontal blanking.

This control signal is used as an output enable for the Row Drivers.

Based on 65 MHz XGA video, 1024 pixel/line, 768 lines/frame.

Horizontal time (clocks/line) = 1300 dot clocks.

Vertical period (lines/frame) = 850 lines.

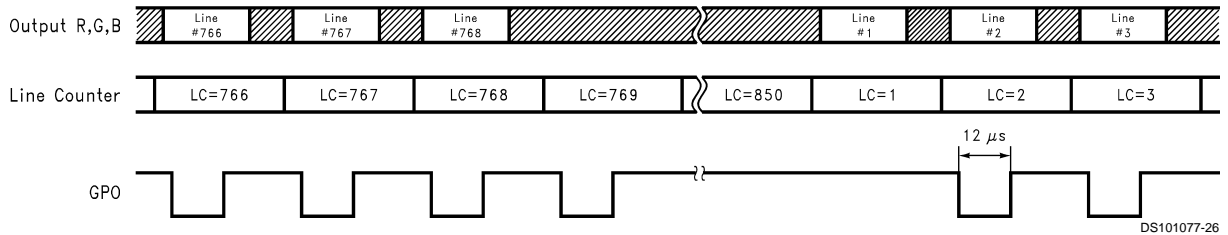


FIGURE 23. Example #4b: GPO Vertical Scope View

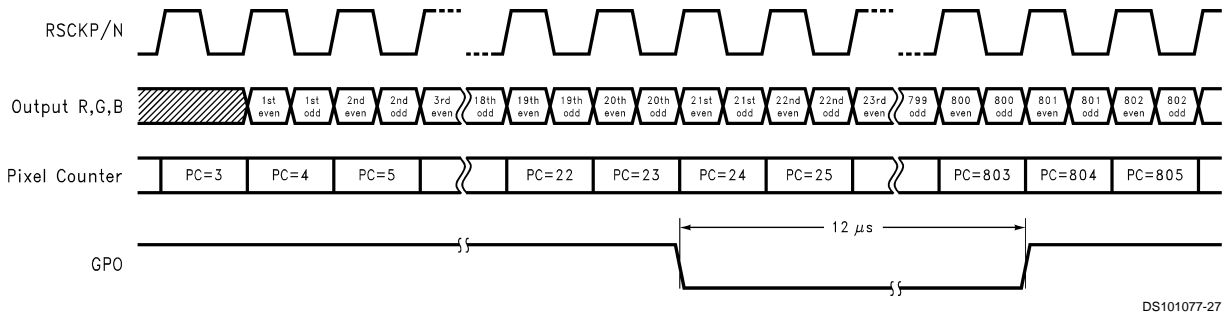


FIGURE 24. Example #4b: GPO Horizontal Scope View

Vertical control is active beginning at line #2 and remains active for line #768.

GPO Vertical Start Register = 2 (0002_H)

GPO Vertical Duration Register = 768 (0300_H)

Negative pulse goes low each line at 20 output clocks after first pixel data are outputted on R, G, B. Pulse remains low for 780 output clocks (12 μ s/15.38 ns = 780).

Note: 4 pixel counts are added to the output data start # because the GPO pixel count begins 4 clocks prior to output data. (Shown as "Figure 17 Internal Pixel Position Counter".)

GPO Horizontal Start Register = 24 (0018_H)

GPO Horizontal Duration Register = 780 (030C_H)

The controlled pulses are negative (bit[0] = "1") and the toggle circuitry is disabled (bit[1] = "0").

GPO Control Register = 1 (01_H) (00000001_B)

Appendix A: GPO (General Purpose Output) Programming Examples (Continued)

GPO Programming Example #4c:

Generate a control signal which toggles at 20 output clocks after end of each output line during horizontal blanking and alternates polarity each frame.

This control signal is used as the reversal signal.
Based on 65 MHz XGA video, 1024 pixel/line,
768 lines/frame.
Horizontal time (clocks/line) = 1300 dot clocks
Vertical period (lines/frame) = 850 lines

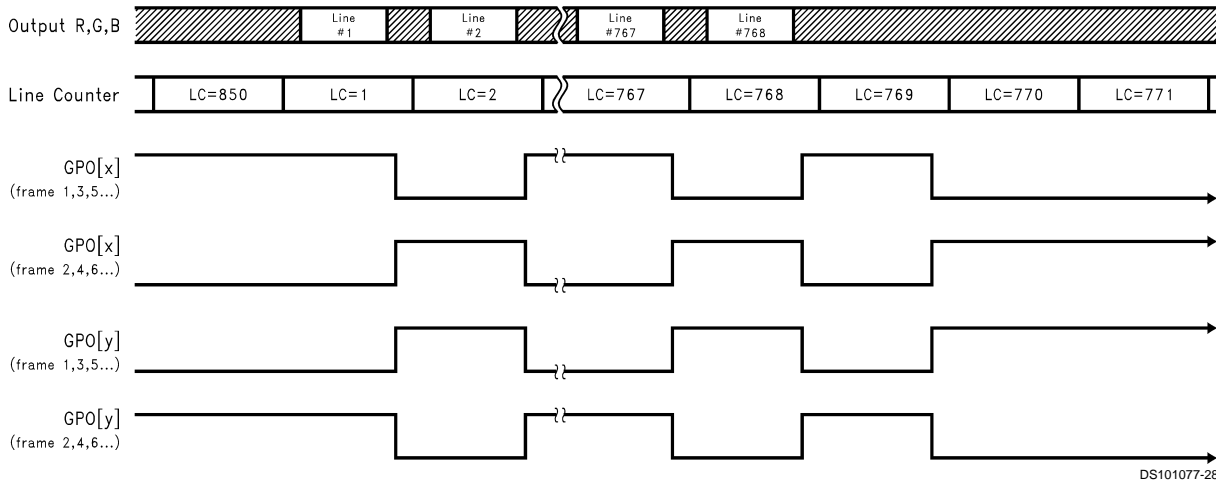


FIGURE 25. Example #4c: GPO Vertical Scope View

Control is active beginning at line #1 and remains active for line #769.

(Odd number programmed in Vertical Duration Register causes control signal to alternate polarity each frame)

GPO Vertical Start Register = 1 (0001_H)

GPO Vertical Duration Register = 769 (0301_H)

Positive going pulse causes output to toggle.

Edge occurs 20 output clocks after end of each line (1024 + 20 = 1044). Pulse duration is not critical since the output will be in toggle mode, but it cannot be "0".

Note: 4 pixel counts are added to the output data start # because the GPO pixel count begins 4 clocks prior to the output data. Shown as "Figure 17 Internal Pixel Position Counter."

GPO Horizontal Start Register = 1048 (0418_H)
[1044+4=1048]

GPO Horizontal Duration Register = 16 (0010_H)

The controlled pulses are positive (bit[0] = "0") and the toggle circuitry is enabled (bit[1] = "1").

GPO Control Register = 2 (02_H) (00000010_B)

(For a second control signal of opposite polarity, (GPO[y]) program another GPO Control Register with same count values, signal are negative. (bit[0] = "1").

GPO Control Register = 3 (03_H) (00000011_B)

Appendix A: GPO (General Purpose Output) Programming Examples (Continued)

Special Function GPOs

FPD87310 has been provided two special purpose GPOs for manipulating the Output RGB Data, also the Clock and SP output can be controlled by GPO[9].

1. GPO[0] Output Data Inverting.
Output_Format_Control_Register bits[4:3]
2. GPO[9] Output Data Blanking.
Input_Format_Control_Register bits[7:6]

Appendix A: GPO (General Purpose Output) Programming Examples

(Continued)

TABLE 4. GPO[0] Inverting and GPO[9] Blanking Logical Function

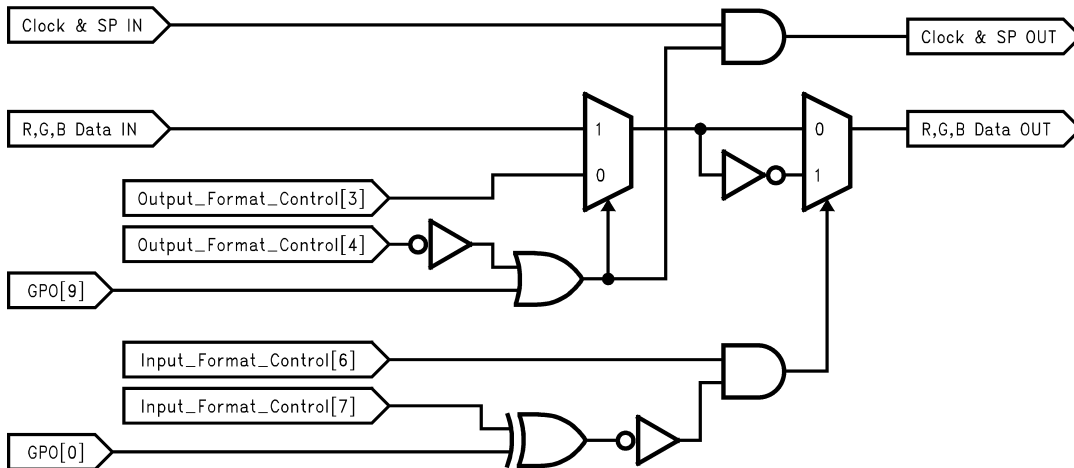
Output Format Control Register		Output Format Control Register		GPO[9]=0		GPO[9]=1	
bit[7]	bit[6]	bit[4]	bit[3]	GPO[0]=0	GPO[0]=1	GPO[0]=0	GPO[0]=1
0	x	x	0	-	-	-	-
		0	1	inv(data)	-	inv(data)	-
		1	1	-	inv(data)	-	inv(data)
1	0	x	0	0	0	-	-
		0	1	1	0	inv(data)	-
		1	1	0	1	-	inv(data)
1	1	x	0	1	1	-	-
		0	1	0	1	inv(data)	-
		1	1	1	0	-	inv(data)

Legends:

- output data is unchanged
- inv(data) output data is inverted
- 0 output data is all "0"
- 1 output data is all "1"

TABLE 5. GPO[9] Blanking for Clock and SP

Output Format Control Register		GPO[9]=0	GPO[9]=1
bit[7]	bit[6]		
0	x	Output CLK & SP	Output CLK & SP
1	x	No Output ("0")	Output CLK & SP



DS101077-29

FIGURE 26. GPO[0] Inverting and GPO[9] Blanking Method

Appendix A: GPO (General Purpose Output) Programming Examples

(Continued)

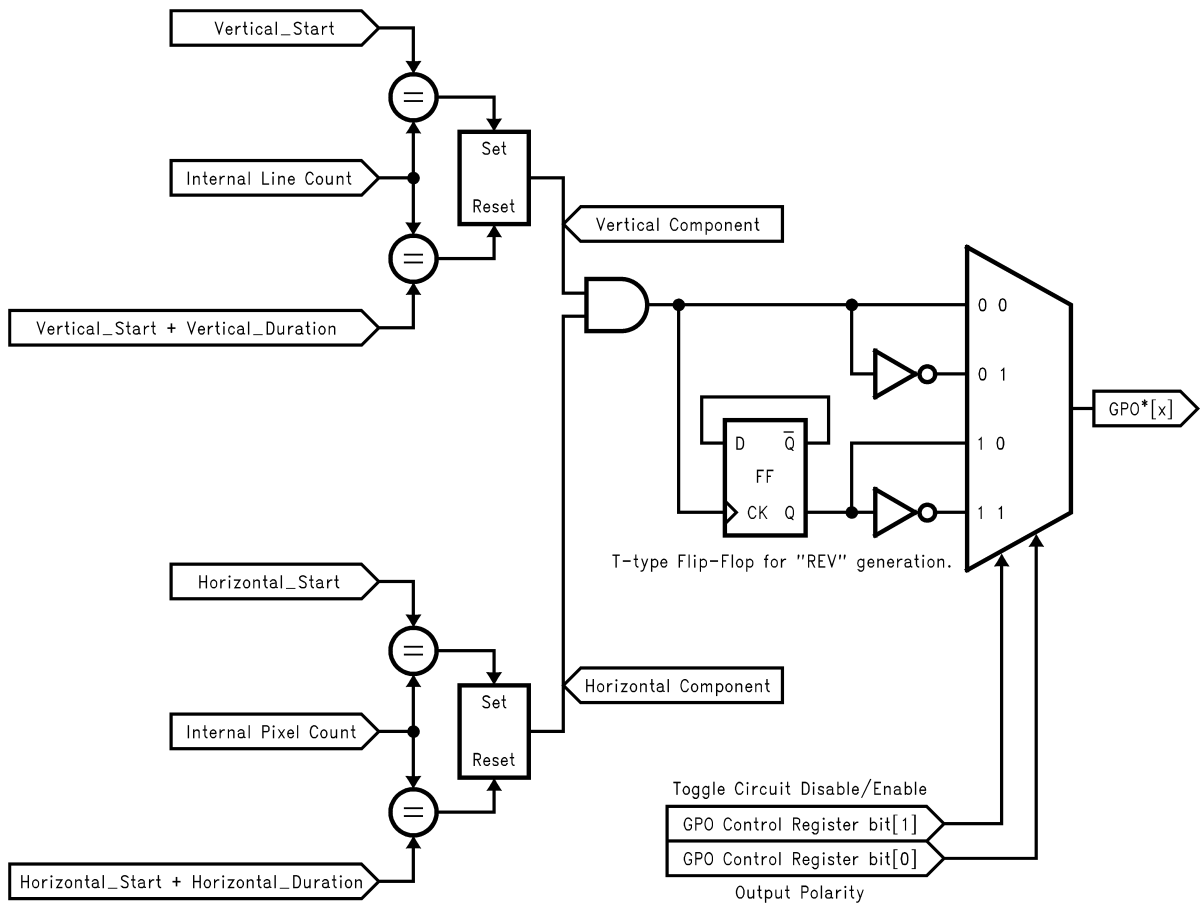


FIGURE 27. GPO (General Purpose Output) Generation Method

DS101077-30

Appendix A: GPO (General Purpose Output) Programming Examples

(Continued)

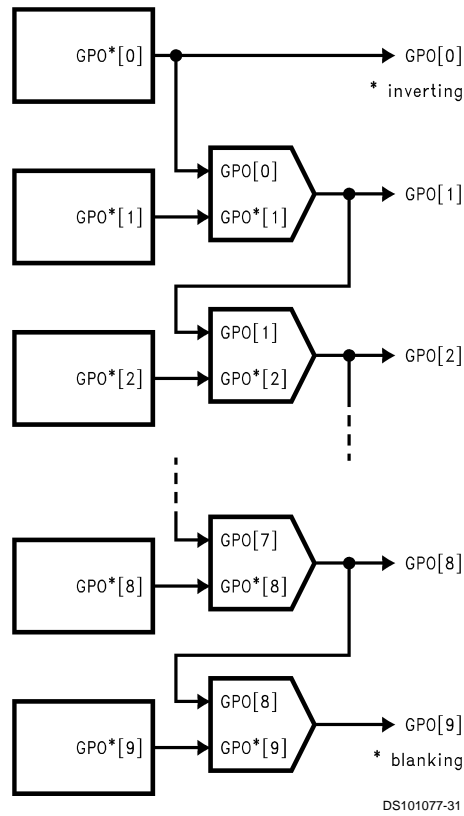


FIGURE 28. GPO Nesting

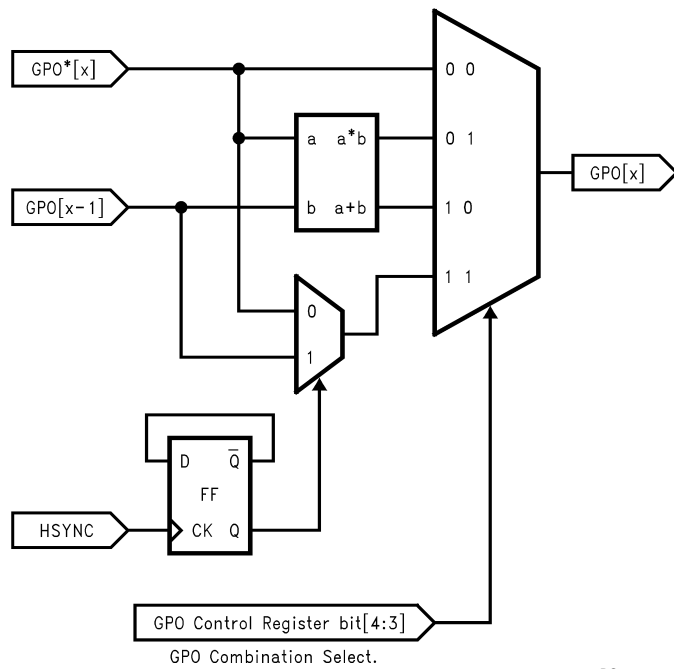
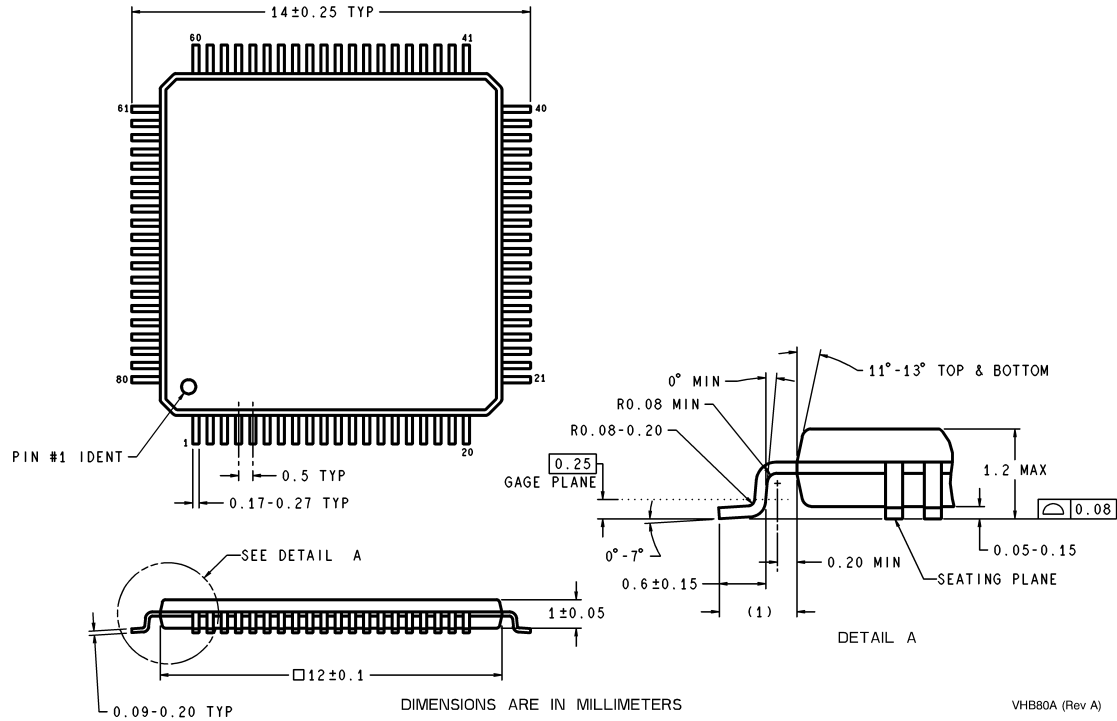


FIGURE 29. GPO Combination Selector

Physical Dimensions inches (millimeters) unless otherwise noted



Thin Plastic Quad Flatpak (TQFP)
Dimensions are in Millimeters
NS Package Number VHB80A

LIFE SUPPORT POLICY

NATIONAL'S PRODUCTS ARE NOT AUTHORIZED FOR USE AS CRITICAL COMPONENTS IN LIFE SUPPORT DEVICES OR SYSTEMS WITHOUT THE EXPRESS WRITTEN APPROVAL OF THE PRESIDENT AND GENERAL COUNSEL OF NATIONAL SEMICONDUCTOR CORPORATION. As used herein:

1. Life support devices or systems are devices or systems which, (a) are intended for surgical implant into the body, or (b) support or sustain life, and whose failure to perform when properly used in accordance with instructions for use provided in the labeling, can be reasonably expected to result in a significant injury to the user.
2. A critical component is any component of a life support device or system whose failure to perform can be reasonably expected to cause the failure of the life support device or system, or to affect its safety or effectiveness.



National Semiconductor Corporation
Americas
Tel: 1-800-272-9959
Fax: 1-800-737-7018
Email: support@nsc.com
www.national.com

National Semiconductor Europe
Fax: +49 (0) 180-530 85 86
Email: europe.support@nsc.com
Deutsch Tel: +49 (0) 69 9508 6208
English Tel: +44 (0) 870 24 0 2171
Français Tel: +33 (0) 1 41 91 8790

National Semiconductor Asia Pacific Customer Response Group
Tel: 65-2544466
Fax: 65-2504466
Email: ap.support@nsc.com

National Semiconductor Japan Ltd.
Tel: 81-3-5639-7560
Fax: 81-3-5639-7507